

## CENTRIC WAFER BUTTERFLY VALVE

SIZES: DN40 TO DN600

PN10 | PN16



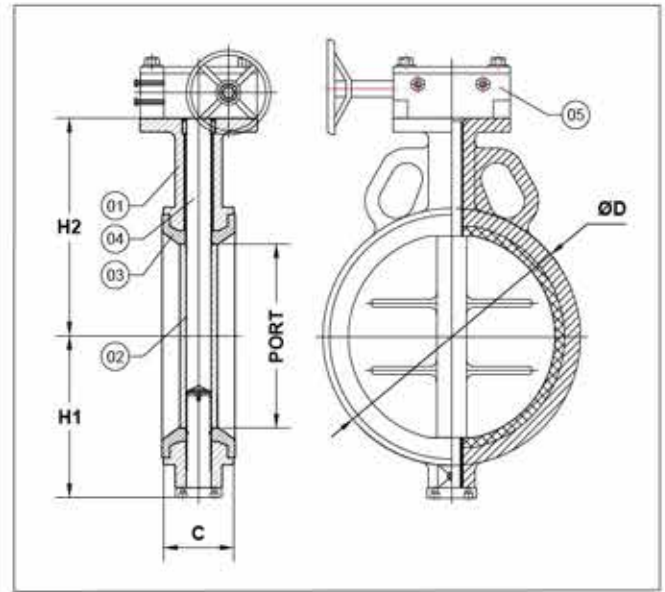
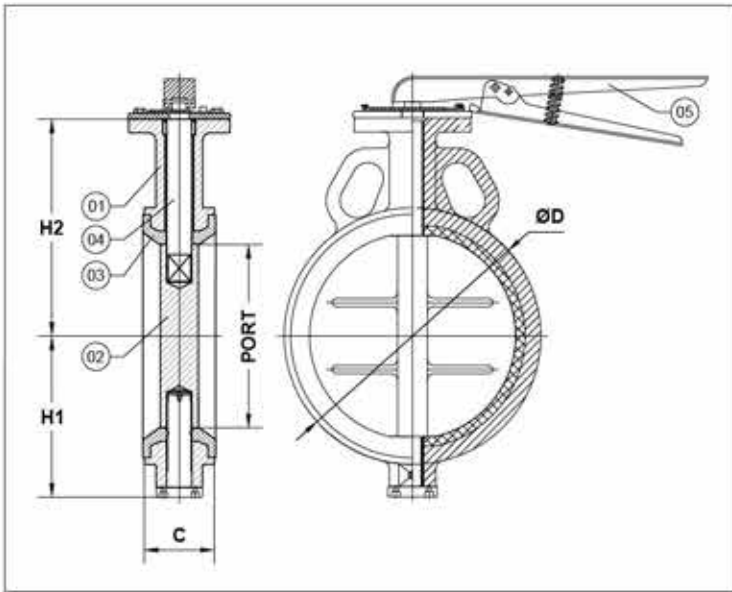
### FEATURES

- Highly Reliable Performance with low maintenance
- Wafer Type Connection makes it very compact and takes lesser installation space
- Molded Rubber Seat extending on to the contact faces ensures perfect sealing and eliminates need for separate flange gaskets
- Body is manufactured by Sand Casting Method with precise tolerances
- Body castings are made of Cast Iron & WCB to ensure additional strength
- Disc is manufactured by Investment Casting Method with precise tolerances
- Precision machined external profile of the disc helps in smooth operation and provides bubble tight shut-off with minimum operating torque and longer seat life
- Sealing of concentric disc is achieved by molded rubber seat at low torque
- Seat and Disc are the only components that come in contact with the fluid
- Two piece and Blow-out proof stem design
- Top Stem is precisely guided between PTFE Bush, SS Bush & O-ring to ensure proper tight sealing
- Bottom Stem is guided by the O-ring to ensure proper tight sealing
- Top Stem Connection to mounting of Hand Lever is in Square Pattern
- Notch plate allows the locking of Hand Lever at different positions along with full open & full closed position
- Hand Lever is available for sizes DN40 to DN200.
- Standard Gear Box with Hand wheel of required torque is provided for operating of the valve.
- Gear box is available for all sizes as per the requirement.

ISO 9001:2015

BUREAU VERITAS  
Certification





NO	QTY	PARTICULARS	MATERIAL
1	1	BODY	CI / WCB / CF8 / CF8M
2	1	DISC	SGI / CF8 / CF8M
3	1	MOLDED SEAT	NITRILE / EPDM / VITON / SILICON
4	2	SHAFT	AISI SS410 / SS304 / SS316
5	1	HAND LEVER	MS / SS
		GEAR BOX WITH HAND WHEEL	STANDARD

#### TECHNICAL DATA :

BODY TYPE	SHORT WAFER (SANDWICHED BETWEEN FLANGES)
VALVE TYPE	CENTRIC DISC BUTTERFLY VALVE WITH SINGLE PIECE RUBBER LINED BODY
SEAT TYPE	INTEGRALLY MOULDED WITH THE BODY
SEAT LEAKAGE	TIGHT SHUT OFF
LEAKAGE CLASS	VI
TEMPERATURE RANGE	UP TO 120° C
PRESSURE RATING	PN10 / PN16
END CONNECTION	WAFER TYPE SUIT 150#
OPERATION	HAND LEVER OPERATED / GEAR OPERATED

#### STANDARDS :

DESIGN AND MANUFACTURING	API 609 CATEGORY A / BS EN 593
VALVE F TO F DIMENSIONS	API 609 CATEGORY A
	SHORT WAFER AS PER ISO 5752 TAB 1 (BS 5155)
TOP FLANGE DRILLING	ISO 5211
INSPECTION AND TESTING	BS EN 12266-1 / API 598
FLANGE STANDARD CONFORMITY	ASME B 16.5 CLASS 150

VALVE SIZE	PORT	H1	H2	C	ØD	APPROX. WEIGHT(kg)
Tolerance	±1mm	±1mm	±1mm	±3mm	±5mm	
1 1/2" (40mm)	40	57	106	34	81	1.6
2" (50mm)	50	64	117	44	95	2.2
2 1/2" (65mm)	65	73	128	46	108	2.7
3" (80mm)	80	78	129.5	46	124	3.2
4" (100mm)	100	99.5	150	52	150	4.2
5" (125mm)	125	113	161	56	182	4.8
6" (150mm)	150	123.5	177	56	207	7.5
8" (200mm)	200	156	206	60	258.5	9.2
10" (250mm)	241	220	266	68	323	30
12" (300mm)	286	246	287	78	365	38
14" (350mm)	333	270	304	78	443	44
16" (400mm)	382	295	365	102	488	66
18" (450mm)	433	331	382	114	562	99
20" (500mm)	476	371	420	127	600	136
24" (600mm)	590	444	488	154	695	208

ALL DIMENSIONS ARE IN MM UNLESS OTHERWISE SPECIFIED

TEST PRESSURE		
TESTING	BODY	SEAT
HYDRAULIC	21 kg/cm <sup>2</sup>	16 kg/cm <sup>2</sup>

**REGISTERED FACTORY AND OFFICE**  
**ROYALTECH VALVES**  
 #B-492/B, 2ND GATE INDUSTRIAL ESTATE  
 GOKUL ROAD, HUBLI-580030  
 KARNATAKA, INDIA

**FOR ENQUIRY, CONTACT US AT**

+91 90198 20791 | 97383 48007

sales.royaltechvalves@gmail.com

**FOR FURTHER DETAILS, VISIT OUR WEBSITE**

www.royaltechvalves.com