

SINGLE PLATE CHECK VALVE (WAFER TYPE)

SIZES: DN25 TO DN700

CLASS 150



FEATURES

- Check valve is mainly to prevent the media reverse flow and ensure a one-way flow of media channels only.
- EPDM sealing/sleeve/gasket is by default. Different sealing materials are available
- With its compact design saves space, light weight, easy to install and budget friendly
- Even the disc is located within the flow section, with the precisely calculated disc design pressure loss is kept at minimum level
- Fully coated body avoids corrosion
- Do not need any maintenance, easy to make spare part replacements
- No need for additional gaskets for installation on the pipeline
- With its long neck design, suitable for insulation application
- In built hook facilitates installation between two flanges
- Can be used vertically or horizontally.

ISO 9001:2015

BUREAU VERITAS
Certification

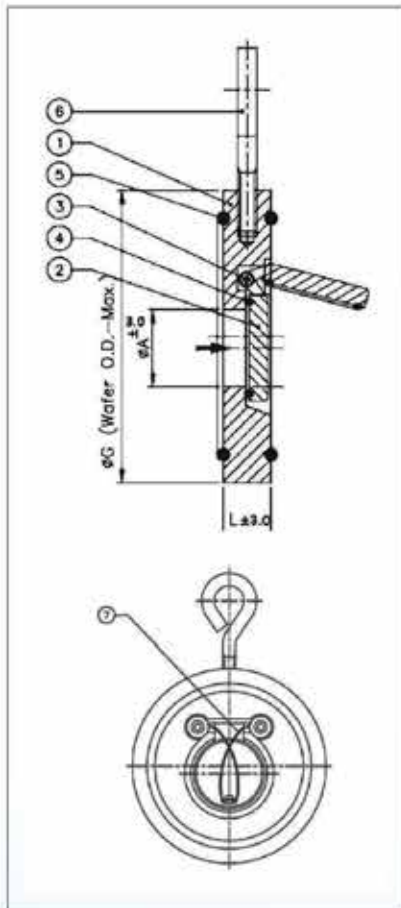


TECHNICAL DATA:

- PRESSURE RATING: CLASS 150
- SEAT LEAKAGE: ZERO LEAKAGE, TIGHT SHUT-OFF
- TEMPERATURE RANGE: 25°C TO 200°C

STANDARDS:

- DESIGN & MANUFACTURING STANDARD: API 6D / ASME B16.34
- TESTING & INSPECTION STANDARD: API 598



SIZE		L	ØA	ØG
in.	mm			
1"	25	14	10	65
1 ½"	40	14	19	84
2"	50	19.05	30	97
2 ½"	65	19.05	40	110
3"	80	19.05	52	129
4"	100	19.05	71	160
5"	125	19.05	91	192
6"	150	19.05	114	214
8"	200	28.45	157	272
10"	250	28.45	195	329
12"	300	38.10	230	379
14"	350	44.45	270	439
16"	400	50.80	310	490
18"	450	60.45	360	540
20"	500	63.50	406	595
24"	600	70	490	698
28"	700	78	555	810

NO	DESCRIPTION	MATERIAL	QTY
1	BODY	CI-IS210 Gr. FG200	1
		ASTM A216 Gr.WCB	
		SS - ASTM A351 CF8 / CF8M	
2	DISC	CI - IS:210 Gr.FG200	1
		CS - ASTM A216 Gr.WCB	
		SS - ASTM A351 CF8 / CF8M	
3	'O' RING	NITRILE / EPDM / VITON / SILICON / PTFE	2 + 1
4	HINGE PIN	AISI 304 / AISI 316	1

ALL DIMENSIONS ARE IN MM UNLESS OTHERWISE SPECIFIED

REGISTERED FACTORY AND OFFICE
ROYALTECH VALVES
 #B-492/B, 2ND GATE INDUSTRIAL ESTATE
 GOKUL ROAD, HUBLI-580030
 KARNATAKA, INDIA

FOR ENQUIRY, CONTACT US AT

☎ +91 90198 20791 | 97383 48007

✉ sales.royaltechvalves@gmail.com

FOR FURTHER DETAILS, VISIT OUR WEBSITE

🌐 www.royaltechvalves.com