

## PULP VALVE (WAFER TYPE)

**SIZES: DN40 TO DN1000**

**CLASS 150**



### FEATURES

- Pulp Valve is carefully designed to offer unrestricted smooth flow of viscous Fluids.
- Pulp valve is durable and high performance valve compatible in both high & low temperature conditions.
- Pulp valve has compact structural configuration and assures quick & hassle-free installation i.e. easy to fit
- Pulp valve has a sturdy construction and high tensile strength.
- Body: Cast Corrosion resistant steel or cast iron to provide receptivity against corrosion for all wetted parts.
- Disc: The Stainless steel plate is precision-buffed on both sides, to enhance packing life and ensure positive shut off even heavy or high-viscous fluid.
- Seat: Metal-to-Metal with standard stainless steel seat ring.
- Gland Packing: Multi layer gland packing in a variety of materials to suit condition provides total sealing.
- Stem: Stainless steel having double start thread rising spindle, for fast closing and opening.

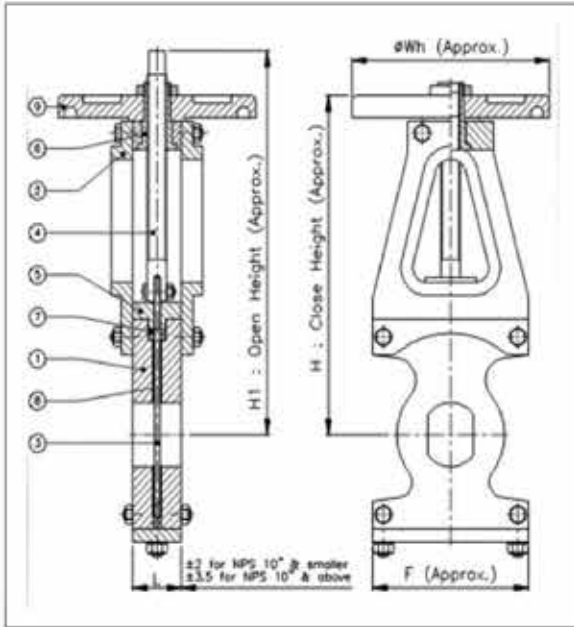
ISO 9001:2015

BUREAU VERITAS  
Certification



## TECHNICAL DATA:

MANUFACTURING STANDARD : GENERALLY CONFORMING TO MSS-SP 81  
 INSPECTION & TESTING STANDARD : GENERALLY CONFORMING TO MSS-SP 81  
 END CONNECTION : WAFER TO SUIT BS 10 TABLE 'D' / ASME B16.1 (#150)  
 MAX C.W.P : 100 PSIG



P.NO.	NOMENCLATURE	MATERIAL	QTY
1	BODY	CI IS 210 Gr.FG200	1
2	YOKES	CI IS 210 Gr.FG200	2
3	GATE	SS304 PLATE	1
4	STEM	AISI 304	1
5	GLAND PLATES	CI IS 210 Gr.FG200	2
6	STEM NUT	GM	1
7	GLAND PACKINGS	GRAPHITED ASBESTOS	Req.
8	GASKET	CAF	1
9	HAND WHEEL	CI / MI	1

HYDROSTATIC TEST PRESSURE	
BODY	9 kg/cm <sup>2</sup>

SIZE		L	H	H1	F	ØWh
in.	mm					
1 ½"	40	46	232	350	126	185
2"	50	46	305	375	147	185
2 ½"	65	46	305	395	165	185
3"	80	49	315	415	180	185
4"	100	49	350	485	185	185
5"	125	56	408	530	210	225
6"	150	56	435	610	243	225
8"	200	56	500	690	285	225
10"	250	62	610	890	336	405
12"	300	78	715	1000	392	405
14"	350	78	785	1185	525	500
16"	400	102	960	1440	575	500
18"	450	110	985	1460	650	600
20"	500	127	1130	1710	675	600
24"	600	154	1240	1890	785	750
28"	700	165	1415	2165	900	900
30"	750	190	1475	2275	950	900
32"	800	190	1630	2505	1000	900
36"	900	203	1800	2775	1100	950
40"	1000	216	200	3100	1200	950

ALL DIMENSIONS ARE IN MM UNLESS OTHERWISE SPECIFIED

**REGISTERED FACTORY AND OFFICE**  
**ROYALTECH VALVES**  
 #B-492/B, 2ND GATE INDUSTRIAL ESTATE  
 GOKUL ROAD, HUBLI-580030  
 KARNATAKA, INDIA

**FOR ENQUIRY, CONTACT US AT**

☎ +91 90198 20791 | 97383 48007

✉ sales.royaltechvalves@gmail.com

**FOR FURTHER DETAILS, VISIT OUR WEBSITE**

🌐 www.royaltechvalves.com